

# iVME7210

## VMEbus Processor Board

■ Embedded Computing for  
Business-Critical Continuity™

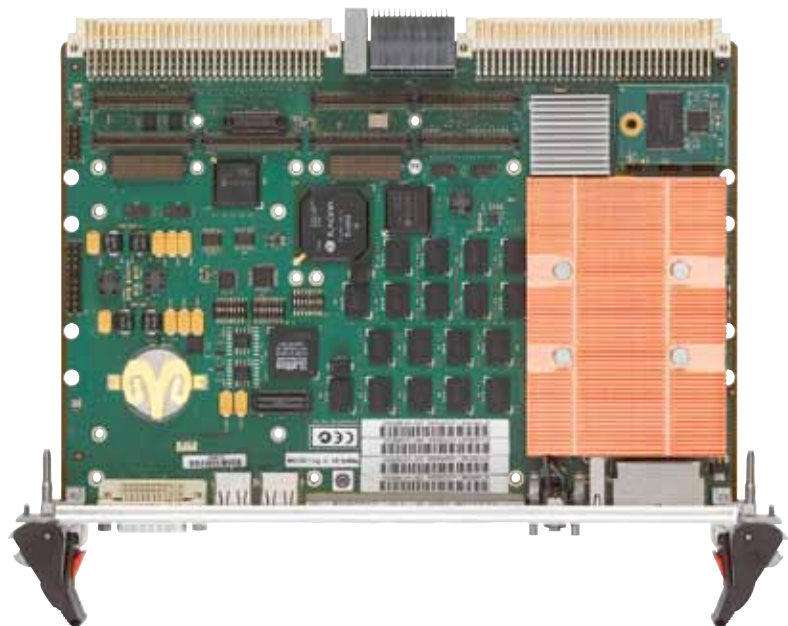
### The iVME7210 VMEbus processor board is compliant with the VITA 41.3 VXS specification

- Intel® Core™ i7 dual-core integrated processor (1.06 GHz ULV or 2.0 GHz LV)
- 4GB or 8GB ECC-protected DDR3-800/1066 (soldered)
- Mobile Intel® 5 Series chipset: Ibex Peak-M Platform Controller Hub (PCH)
- 256KB non-volatile F-RAM
- DVI-I interface
- Dual Gigabit Ethernet, USB 2.0 and SATA to VXS P0
- Four on-board Gigabit Ethernet (GbE) interfaces
- Five serial ports
- Up to three front USB 2.0 ports
- Up to two PMC/XMC sites
- Optional rear transition module
- SATA hard drive and mounting kit available

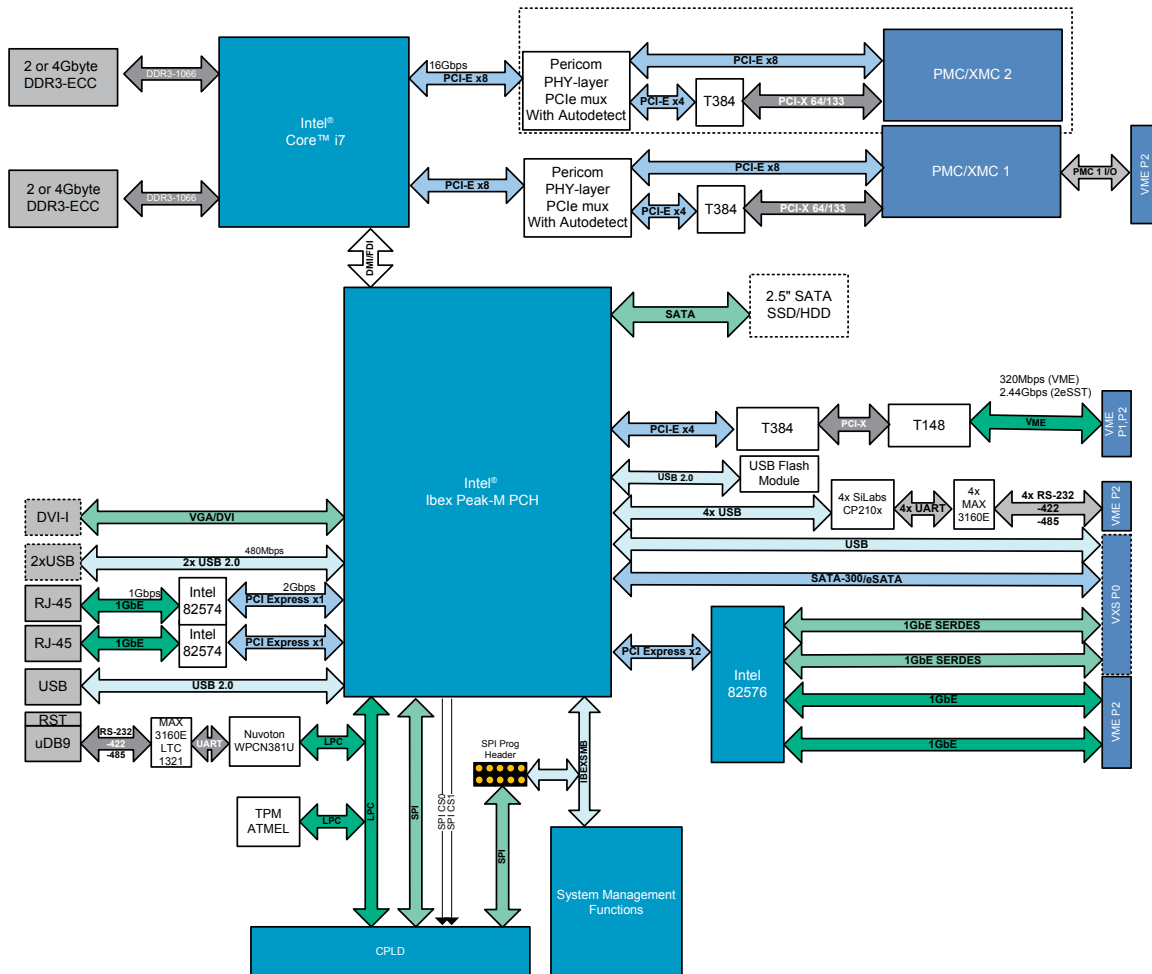
Featuring Intel® Core™ i7 processor variants up to 2.0 GHz and the mobile Intel® QM57 Express chipset, Emerson Network Power's new iVME7210 is designed for a range of industrial, medical and military/aerospace applications including robotics, image processing, radar/sonar, C4ISR and signal intelligence. On-board memory includes up to 8GB DDR3 memory and 256KB non-volatile Ferroelectric Random Access Memory (F-RAM). F-RAM does not require batteries or periodic refreshes and offers many more read/write cycles and faster performance than flash memory, which benefits critical non-volatile data storage, data logs and dynamic program updates. Connectivity includes DVI-I, four Gigabit Ethernet ports, up to three USB 2.0 ports, five serial ports, single or dual PMC/XMC sites and on-board SATA drive.

The board's Digital Visual Interface (DVI) provides support for high quality digital graphics and the Trusted Platform Module (TPM) enhances data security and encryption capabilities. The iVME7210 supports a range of operating system and software options including Wind River VxWorks, Fedora 12 Linux and Green Hills INTEGRITY. Extended temperature and rugged versions will be available via Emerson alliance partners.

Overall, with the high performance dual-core processor for scalability and leading edge I/O and memory for flexibility, the iVME7210 board is a superior choice for advanced defense and aerospace systems, signal testing and simulation, medical imaging, and transportation control.



## iVME7210 Block Diagram



## Specifications

### HARDWARE PROCESSOR/CHIPSET

- Intel Core i7 integrated dual-core processor (1.06 GHz ULV or 2.0 GHz LV)
- A 32KB instruction and 32KB data first-level cache (L1) for each core
- A 256KB shared instruction/data second-level cache (L2) for each core
- Up to 4MB shared instruction/data third-level cache (L3), shared among all cores
- No front side bus, north bridge is integrated in the processor

### MEMORY

- Dual channel 17.1GB/s memory architecture
- 4GB or 8GB ECC-protected DDR3-800/1066, soldered down

### USER FLASH/NVRAM MEMORY

- 4GB eUSB flash module
- 256KB F-RAM (NVRAM)

### BOOT FLASH MEMORY

- Dual UEFI in SPI flash devices
- Support for crisis recovery

### VMEBUS INTERFACE

- Compliance: ANSI/VITA 1-1994 VME64 (IEEE STD 1014), ANSI/VITA 1.1-1997 VME64 Extensions, VITA 1.5-199x 2eSST, VITA 41.3 VXS
- Controller: Tundra Tsi148 PCI-X to VMEbus bridge with support for VME64 and 2eSST protocols

### I/O CAPABILITIES

- DVI-I interface
- Four Gigabit Ethernet interfaces, (two front and two rear. Dual rear Ethernet controller may be configured (via software) to operate in one of two modes:
  - ▲ Copper PHY Mode: Supporting 802.3, 802.3u, and 802.3ab (10BASE-T, 100BASE-TX, and 1000BASE-T) Ethernet standards
  - ▲ SerDes Mode: Intended for VITA 41.3 (VXS.3) compliant systems, based upon the 1000 Mb/s Baseband IEEE 802.3 Ethernet standard

Note: Access to dual rear Ethernet is via the RTM when operating in Copper PHY mode. Access is via the VXS P0 connector when operating in SerDes mode.

- Up to five serial interfaces (one front, four rear to RTM)
- Up to four USB 2.0 interfaces (three front and one rear via P0)
- Up to two PMC/XMC sites
- XMC capable (PCI Express x8)
- Up to one SATA interface via P0

### OPTIONAL TRANSITION MODULES

- 4x Serial RJ-45 (COM2-5)
- 2x GbE RJ-45
- PMC Interface Module (PIM)

### OTHER FEATURES

- SATA hard drive mounting kit
- Watchdog timer (Ibex Peak-M)
- Three 8254 interval timers (Ibex Peak-M)
- Eight high-precision event timers (Ibex Peak-M)
- POST codes, status and user LEDs
- Reset switch
- IEEE locking ejector or SCANBE handles
- Power-up ramping and in-rush current protection

### POWER REQUIREMENTS

- Maximum for 1.06 GHz ULV (iVME7210), 4GB memory variant
  - ▲ 42W @ 5V (52W max @ 5V)
- Maximum for 2.0 GHz LV (iVME7210), 8GB memory variant
  - ▲ 50W @ 5V (60W max @ 5V)

### MTBF

Calculated per Telecordia SR-332, Issue 1 and based on a ground fixed, controlled environment assuming an inlet air temperature of between 0 °C and 50 °C. 200,000 hours.

### ELECTROMAGNETIC COMPATIBILITY (EMC)

- Intended for use in systems meeting the following regulations:
  - ▲ US: FCC Part 15, Subpart B, Class A (non-residential)
  - ▲ Canada: ICES-003, Class A (non-residential)
- Emerson board products are tested in a representative system to the following standards:
  - ▲ CE Mark per European EMC Directive 89/336/EEC with Amendments; Emissions: EN55022 Class B; Immunity: EN55024

### ENVIRONMENTAL REQUIREMENTS

- Operating temperature: 0 °C to +55 °C
- Relative humidity: 5% to 95% at +40 °C (non-condensing)
- Operating altitude: -300 m to +4500 m
- Product complies with flammability ratings according to UL-94V0
- Airflow: 300LFM = 1.54 m/s
- Operating vibration: 5 to 500 Hz sinusoidal, 2 G (1 oct/min); 5 - 62 Hz, 5 m/s; 62 - 500 Hz, 20 m/s
- Operating shock: 5 G, 20 ms half sine x3

### DOCUMENTATION

- Installation Guide and Technical Reference Manual
- Hardware Release Notes
- UEFI BIOS Release Notes
- Linux Installation and Programmer's Guides

Ordering Information	
Part Number	Description
iVME7210-0161	Intel® Core™ i7 1.06 GHz, 4GB DDR3, 2PMC/XMC SCANBE
IVME7210-0163	Intel Core i7 1.06 GHz, 4GB DDR3, 2PMC/XMC IEEE
iVME7210DVI-0161	Intel Core i7 1.06 GHz, 4GB DDR3, DVI, PMC/XMC SCANBE
IVME7210DVI-0163	Intel Core i7 1.06 GHz, 4GB DDR3, DVI, PMC/XMC IEEE
iVME7210-0171	Intel Core i7 2.0 GHz, 8GB DDR3, 2PMC/XMC SCANBE
IVME7210-0173	Intel Core i7 2.0 GHz, 8GB DDR3, 2PMC/XMC IEEE
IVME7210DVI-0171	Intel Core i7 2.0 GHz, 8GB DDR3, DVI, 1PMC/XMC SCANBE
IVME7210DVI-0173	Intel Core i7 2.0 GHz, 8GB DDR3, DVI, 1PMC/XMC IEEE
iVME7210VXS-0161	Intel Core i7 1.06 GHz, 4GB DDR3, VXS, 2PMC/XMC SCANBE
IVME7210VXS-0163	Intel Core i7 1.06 GHz, 4GB DDR3, VXS, 2PMC/XMC IEEE
iVME7210DVIVXS-0161	Intel Core i7 1.06 GHz, 4GB DDR3, DVI, 1PMC/XMC SCANBE
IVME7210DVIVXS-0163	Intel Core i7 1.06 GHz, 4GB DDR3, DVI, 1PMC/XMC IEEE
IVME7210VXS-0171	Intel Core i7 2.0 GHz, 8GB DDR3, VXS, 2PMC/XMC SCANBE
IVME7210VXS-0173	Intel Core i7 2.0 GHz, 8GB DDR3, VXS, 2PMC/XMC IEEE
iVME7210DVIVXS-0171	Intel Core i7 2.0 GHz, 8GB DDR3, DVI, 1PMC/XMC SCANBE
iVME7210DVIVXS-0173	Intel Core i7 2.0 GHz, 8GB DDR3, DVI, 1PMC/XMC IEEE
VME-HDMNTKIT	VME HD mounting kit
VME-64GBSSDKIT	VME64 GB SSD and mounting kit
SERIAL-MINI-D2	Serial cable - Micro D sub connector to standard DB-9
MVME7216E-101	MVME RTM, New I/O on 5-row P2, GbE, 4 serial, PIM, 6E
ACC/CABLE/SER/DTE/6E	Serial cable, RD 009, 2M, 2 DTE MD/D, RJ45 to DB9





## SOLUTION SERVICES

Emerson Network Power provides a portfolio of solution services optimized to meet your needs throughout the product lifecycle. Design services help speed time-to-market. Deployment services include global 24x7 technical support. Renewal services enable product longevity and technology refresh.

Intel and Core are trademarks of Intel Corporation or its subsidiaries in the United States and other countries. All other product or service names are the property of their respective owners. © 2010 Emerson Electric Co.

This document identifies products, their specifications, and their characteristics, which may be suitable for certain applications. It does not constitute an offer to sell or a commitment of present or future availability, and should not be relied upon to state the terms and conditions, including warranties and disclaimers thereof, on which Emerson Network Power may sell products. A prospective buyer should exercise its own independent judgment to confirm the suitability of the products for particular applications. Emerson Network Power reserves the right to make changes, without notice, to any products or information herein which will, in its sole discretion, improve reliability, function, or design. Emerson Network Power does not assume any liability arising out of the application or use of any product or circuit described herein; neither does it convey any license under its patent or other intellectual property rights or under others. This disclaimer extends to any prospective buyer, and it includes Emerson Network Power's licensee, licensee's transferees, and licensee's customers and users. Availability of some of the products and services described herein may be restricted in some locations.

**Emerson Network Power.**  
The global leader in enabling  
*Business-Critical Continuity™*.

-  AC Power
-  Embedded Power
-  Precision Cooling
-  Connectivity
-  Infrastructure Management & Monitoring
-  Racks & Integrated Cabinets
-  DC Power
-  Outside Plant
-  Services
-  Embedded Computing
-  Power Switching & Controls
-  Surge Protection

### Emerson Network Power

Offices: Tempe, AZ U.S.A. 1 800 759 1107 or +1 602 438 5720  
Paris, France +33 1 60 92 31 20 • Munich, Germany +44 1509 236490 • Tel Aviv, Israel +972 99560361  
Hong Kong +852 2176 3540 • Shanghai, China +86 21 3395 0289 • Tokyo, Japan +81 3 5403 2730 • Seoul, Korea +82 2 3483 1500

[EmersonNetworkPower.com/EmbeddedComputing](http://EmersonNetworkPower.com/EmbeddedComputing)

Emerson, Business-Critical Continuity and Emerson Network Power are trademarks of Emerson Electric Co. or one of its affiliated companies. ©2011 Emerson Electric Co.